

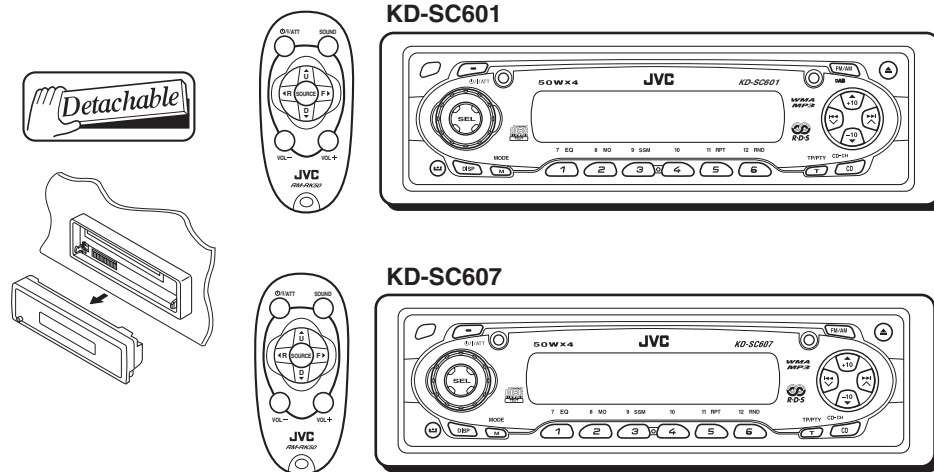
# JVC

## SCHEMATIC DIAGRAMS

### CD RECEIVER

# KD-SC601, KD-SC607

CD-ROM No.SML200401



|                            |
|----------------------------|
| <b>KD-SC601</b>            |
| Area suffix                |
| E ----- Continental Europe |
| EX ----- Central Europe    |

|                             |
|-----------------------------|
| <b>KD-SC607</b>             |
| Area suffix                 |
| EE ----- Russian Federation |



|                | KD-SC601E/EX | KD-SC607EE |
|----------------|--------------|------------|
| SUB-CABLE      | ○            | ×          |
| STEERING CABLE | ○            | ×          |

### Contents

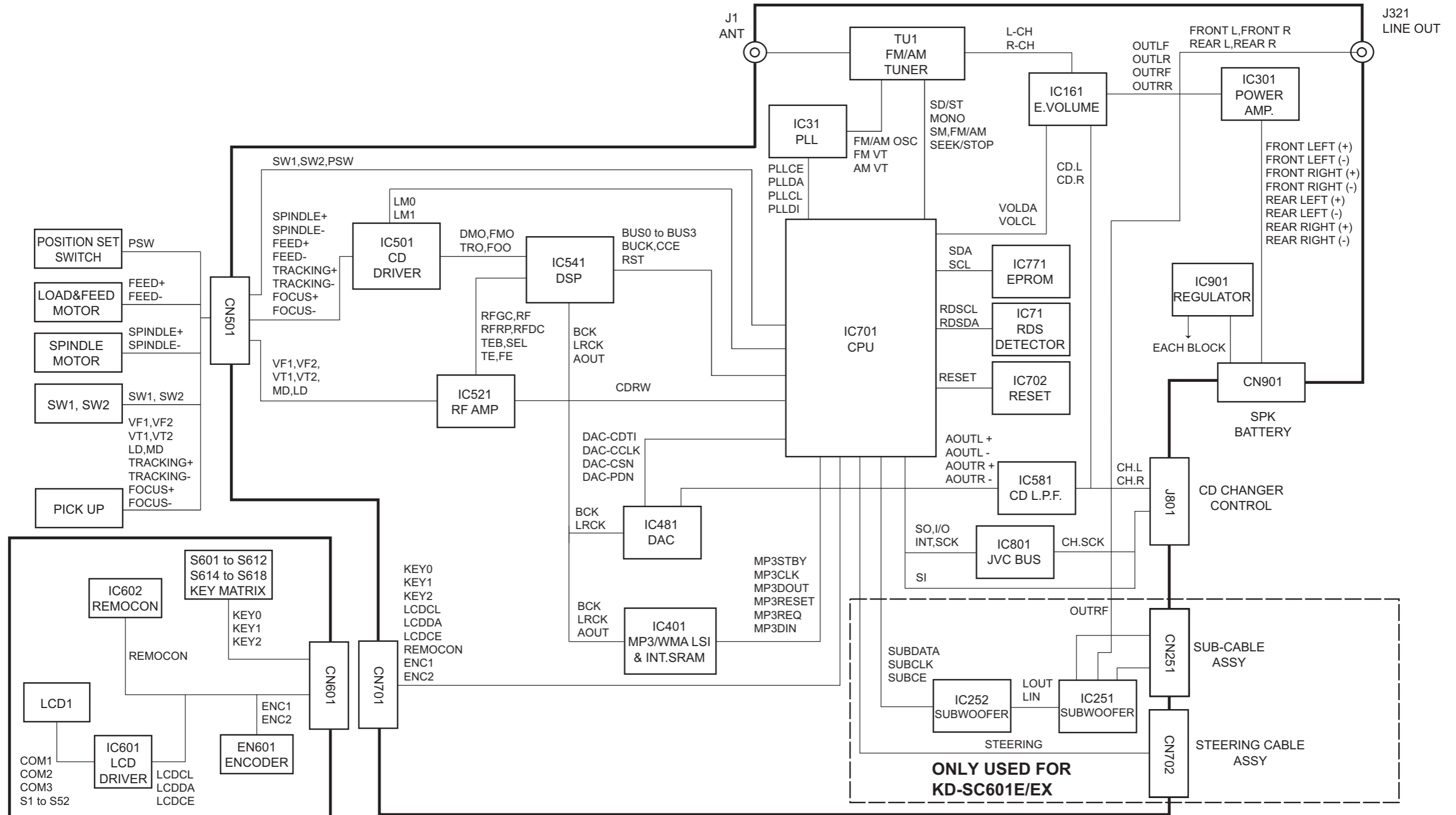
|                                   |          |
|-----------------------------------|----------|
| Block diagram .....               | 2-1      |
| Standard schematic diagrams ..... | 2-2 to 7 |
| Printed circuit boards .....      | 2-8, 9   |

## Safety precaution

 **CAUTION** Burrs formed during molding may be left over on some parts of the chassis. Therefore, pay attention to such burrs in the case of performing repair of this system.

 **CAUTION** Please use enough caution not to see the beam directly or touch it in case of an adjustment or operation check.

# Block diagram



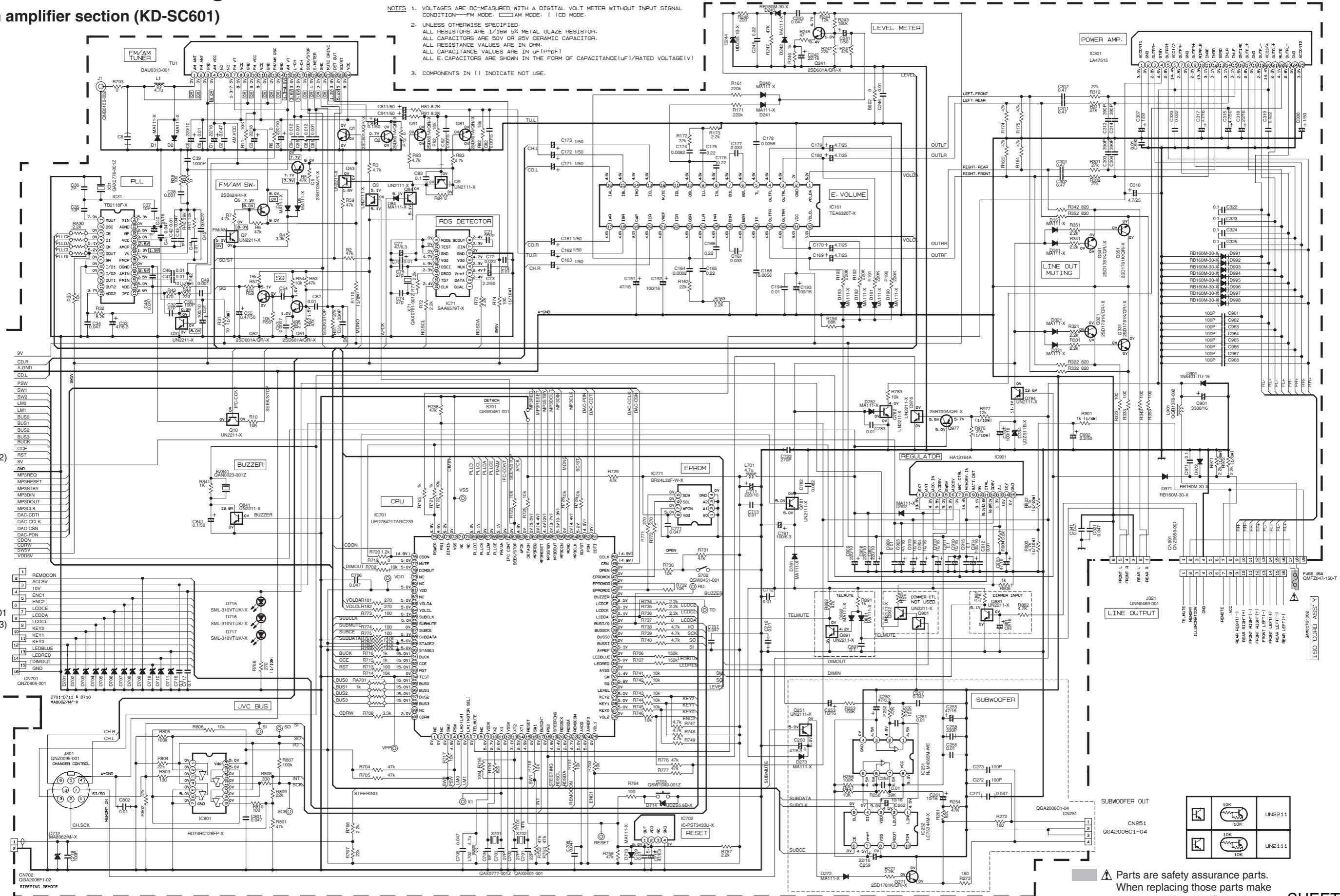
# Standard schematic diagrams

## ■ Main amplifier section (KD-SC601)

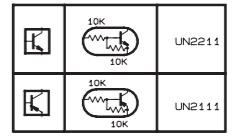
- NOTES
1. VOLTAGES ARE DC-MEASURED WITH A DIGITAL VOLT METER WITHOUT INPUT SIGNAL CONDITION—FM MODE. □ AM MODE. ( ) LCD MODE.
  2. UNLESS OTHERWISE SPECIFIED:  
ALL RESISTORS ARE 1/4W 5% METAL GLAZE RESISTOR.  
ALL CAPACITORS ARE 50V OR 25V CERAMIC CAPACITOR.  
ALL RESISTANCE VALUES ARE IN OHM.  
ALL CAPACITANCE VALUES ARE IN UF(P=PF)  
ALL E-CAPACITORS ARE SHOWN IN THE FORM OF CAPACITANCE(UF)/RATED VOLTAGE(V)
  3. COMPONENTS IN ( ) INDICATE NOT USE.

(SHEET 2)

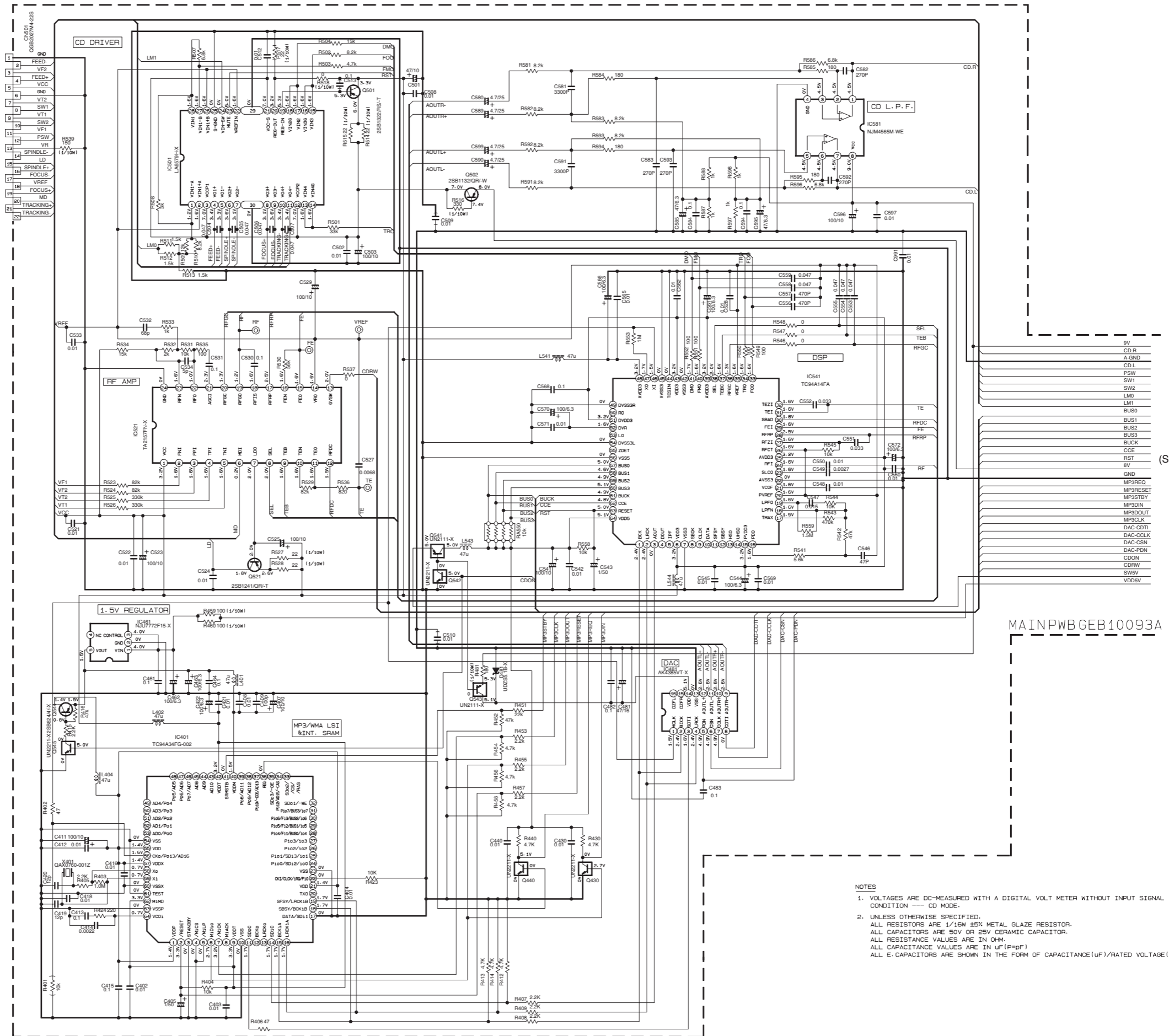
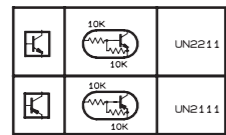
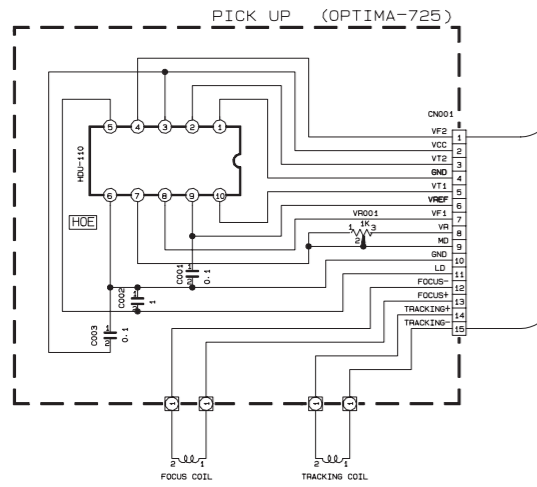
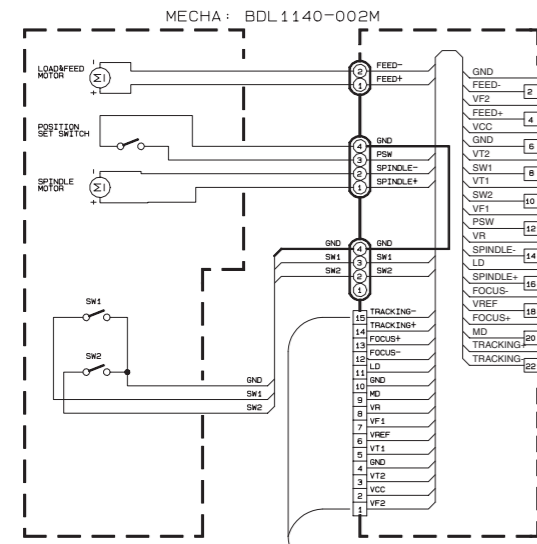
To CN601  
(SHEET 3)



▲ Parts are safety assurance parts.  
When replacing those parts make  
sure to use the specified one.



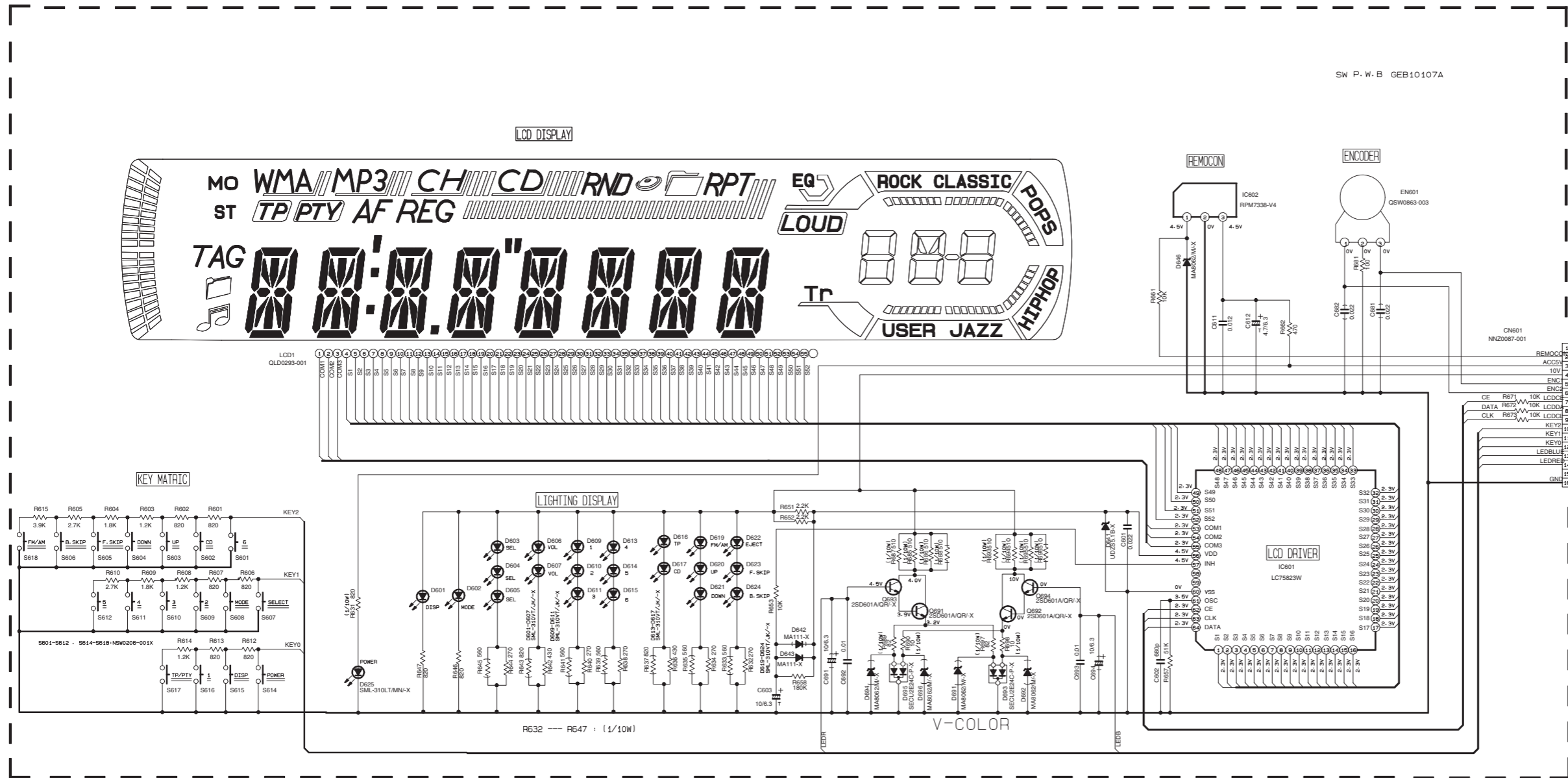
■ CD servo section (KD-SC601)



- NOTES
1. VOLTAGES ARE DC-MEASURED WITH A DIGITAL VOLT METER WITHOUT INPUT SIGNAL CONDITION --- CD MODE.
  2. UNLESS OTHERWISE SPECIFIED.  
ALL RESISTORS ARE 1/16W ±5% METAL GLAZE RESISTOR.  
ALL CAPACITORS ARE 50V OR 25V CERAMIC CAPACITOR.  
ALL RESISTANCE VALUES ARE IN OHM.  
ALL CAPACITANCE VALUES ARE IN UF(P+P)  
ALL E-CAPACITORS ARE SHOWN IN THE FORM OF CAPACITANCE(UF)/RATED VOLTAGE(V)

(SHEET 1)

SHEET 2



NOTES

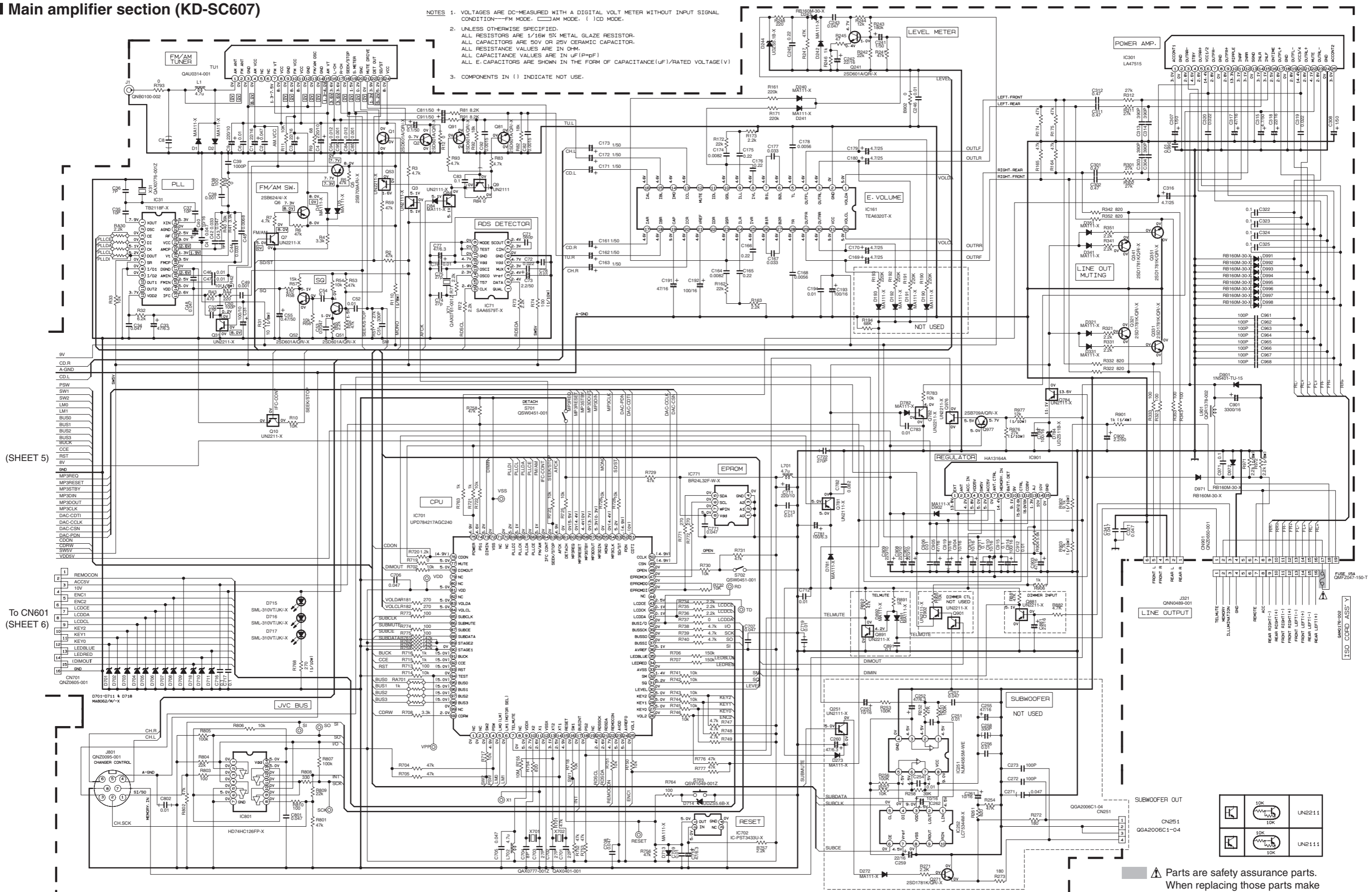
1. VOLTAGES ARE DC-MEASURED WITH A DIGITAL VOLT METER WITHOUT INPUT SIGNAL.
2. UNLESS OTHERWISE SPECIFIED.  
ALL RESISTOR ARE 1/16W ±5% METAL GLAZE RESISTOR.  
ALL CAPACITORS ARE 50V OR 25V CERAMIC CAPACITOR.  
ALL RESISTANCE VALUES ARE IN OHM.  
ALL CAPACITANCE VALUES ARE IN uF(P=pF)  
ALL E. CAPACITORS ARE SHOWN IN THE FORM OF CAPACITANCE(uF)/RATED VOLTAGE(V)  
T --- TANTAL CAPACITOR.
3. COMPONENTS IN ( ) INDICATE NOT USE.

To CN701 (SHEET 1)



■ Main amplifier section (KD-SC607)

- NOTES 1. VOLTAGES ARE DC-MEASURED WITH A DIGITAL VOLT METER WITHOUT INPUT SIGNAL CONDITION—FM MODE. □ AM MODE. ( ) CD MODE.
2. UNLESS OTHERWISE SPECIFIED, ALL RESISTORS ARE 1/16W 5% METAL GLAZE RESISTOR. ALL CAPACITORS ARE 50V OR 25V CERAMIC CAPACITOR. ALL RESISTANCE VALUES ARE IN OHM. ALL CAPACITANCE VALUES ARE IN  $\mu\text{F}$  (P=PF) ALL E. CAPACITORS ARE SHOWN IN THE FORM OF CAPACITANCE( $\mu\text{F}$ )/RATED VOLTAGE(V)
3. COMPONENTS IN ( ) INDICATE NOT USE.



(SHEET 5)

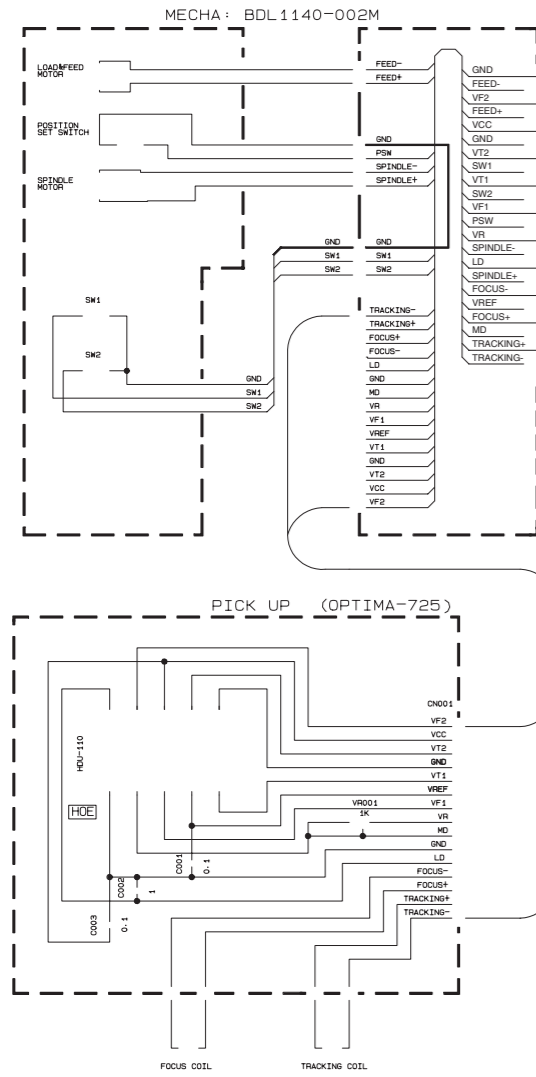
To CN601 (SHEET 6)

MAIN PWB GEB10093A

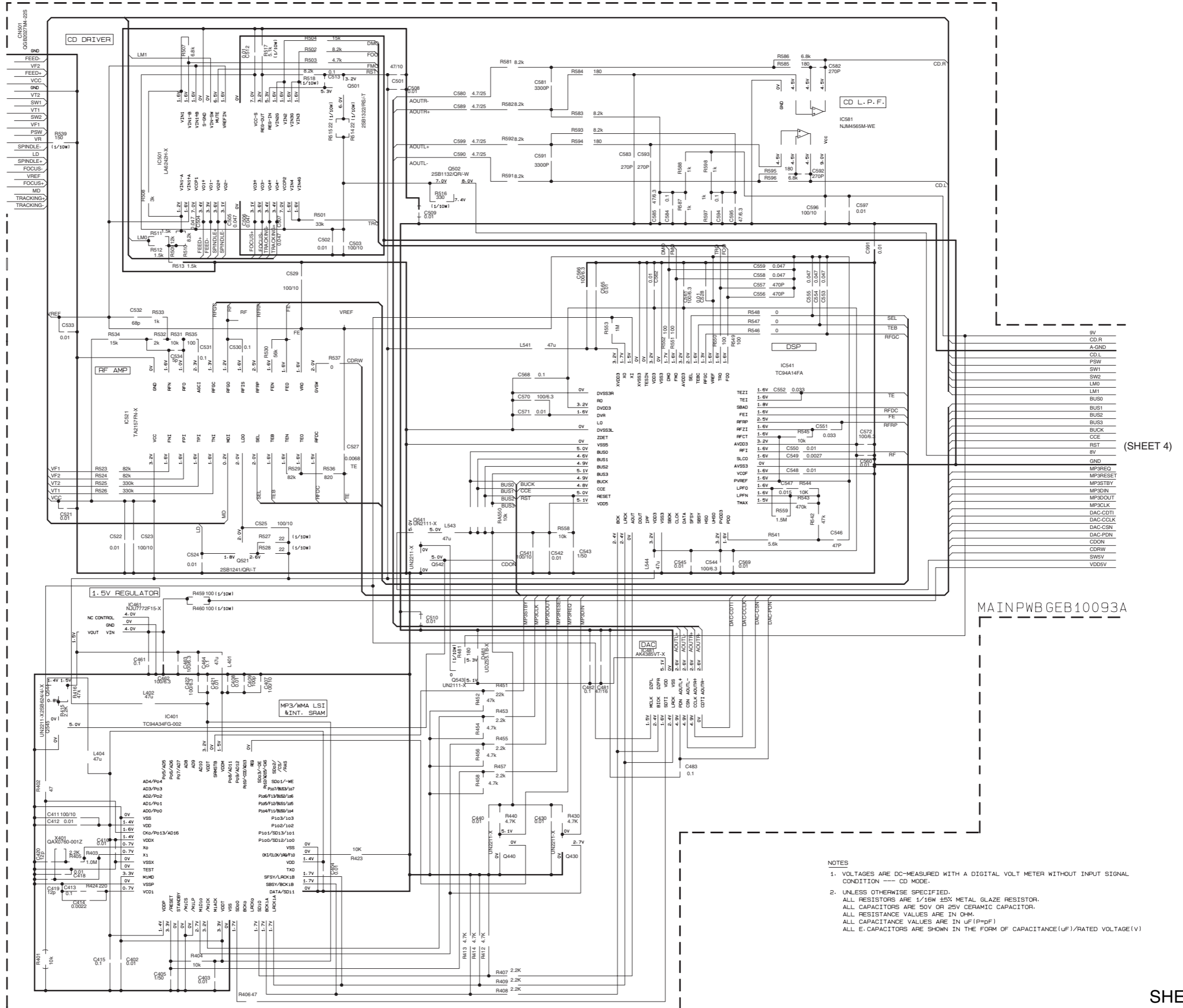
▲ Parts are safety assurance parts. When replacing those parts make sure to use the specified one.

SHEET 4

■ CD servo section (KD-SC607)



|     |        |
|-----|--------|
| 10K | UN2211 |
| 10K |        |
| 10K |        |
| 10K | UN2111 |

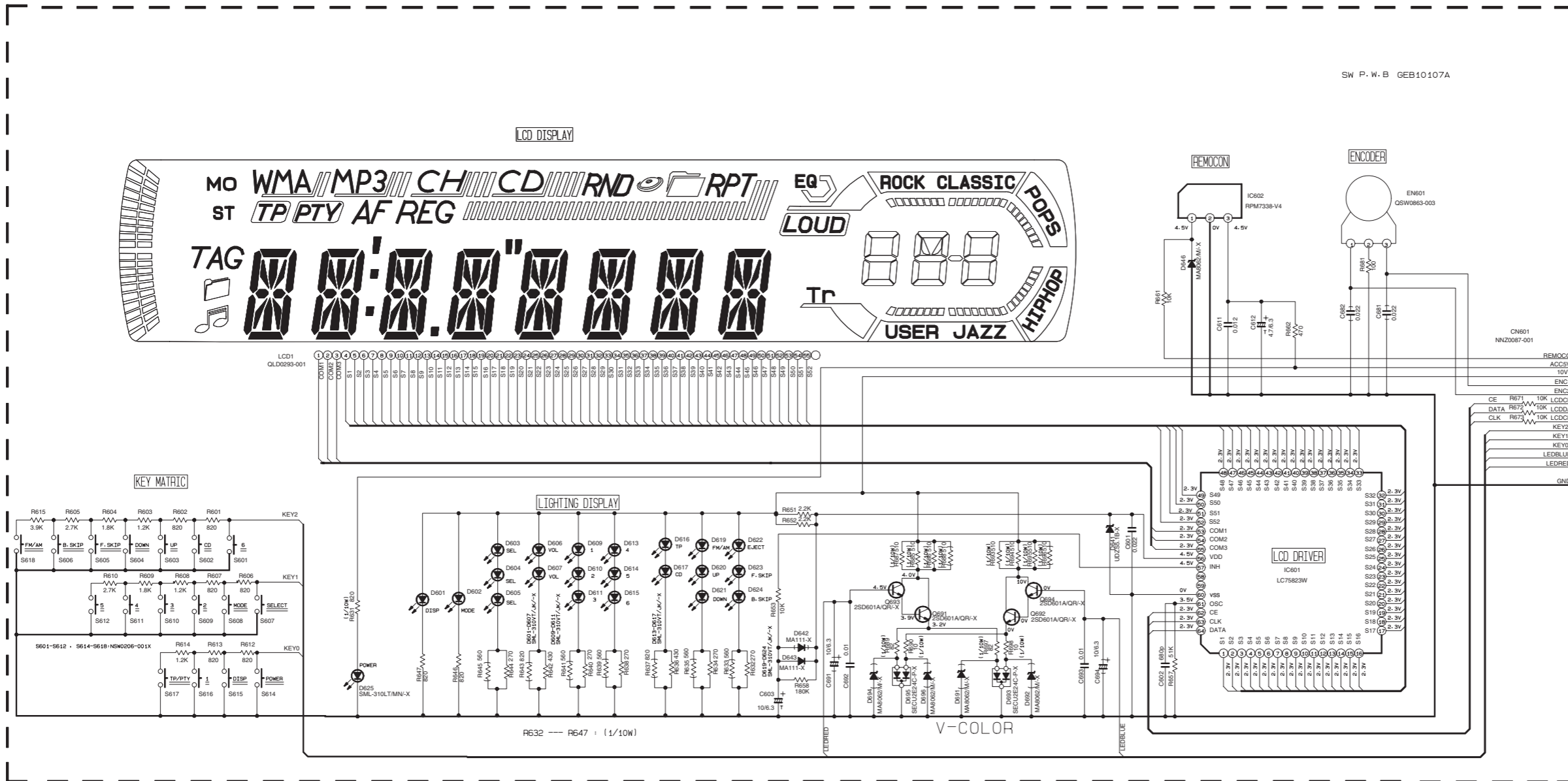


- NOTES
- VOLTAGES ARE DC-MEASURED WITH A DIGITAL VOLT METER WITHOUT INPUT SIGNAL CONDITION --- CD MODE.
  - UNLESS OTHERWISE SPECIFIED. ALL RESISTORS ARE 1/16W ±5% METAL GLAZE RESISTOR. ALL CAPACITORS ARE 50V OR 35V CERAMIC CAPACITOR. ALL RESISTANCE VALUES ARE IN OHM. ALL CAPACITANCE VALUES ARE IN uF(P=PF) ALL E. CAPACITORS ARE SHOWN IN THE FORM OF CAPACITANCE(uF)/RATED VOLTAGE(V)

(SHEET 4)



■ LCD & Key control section (KD-SC607)



SW P.W.B GEB10107A

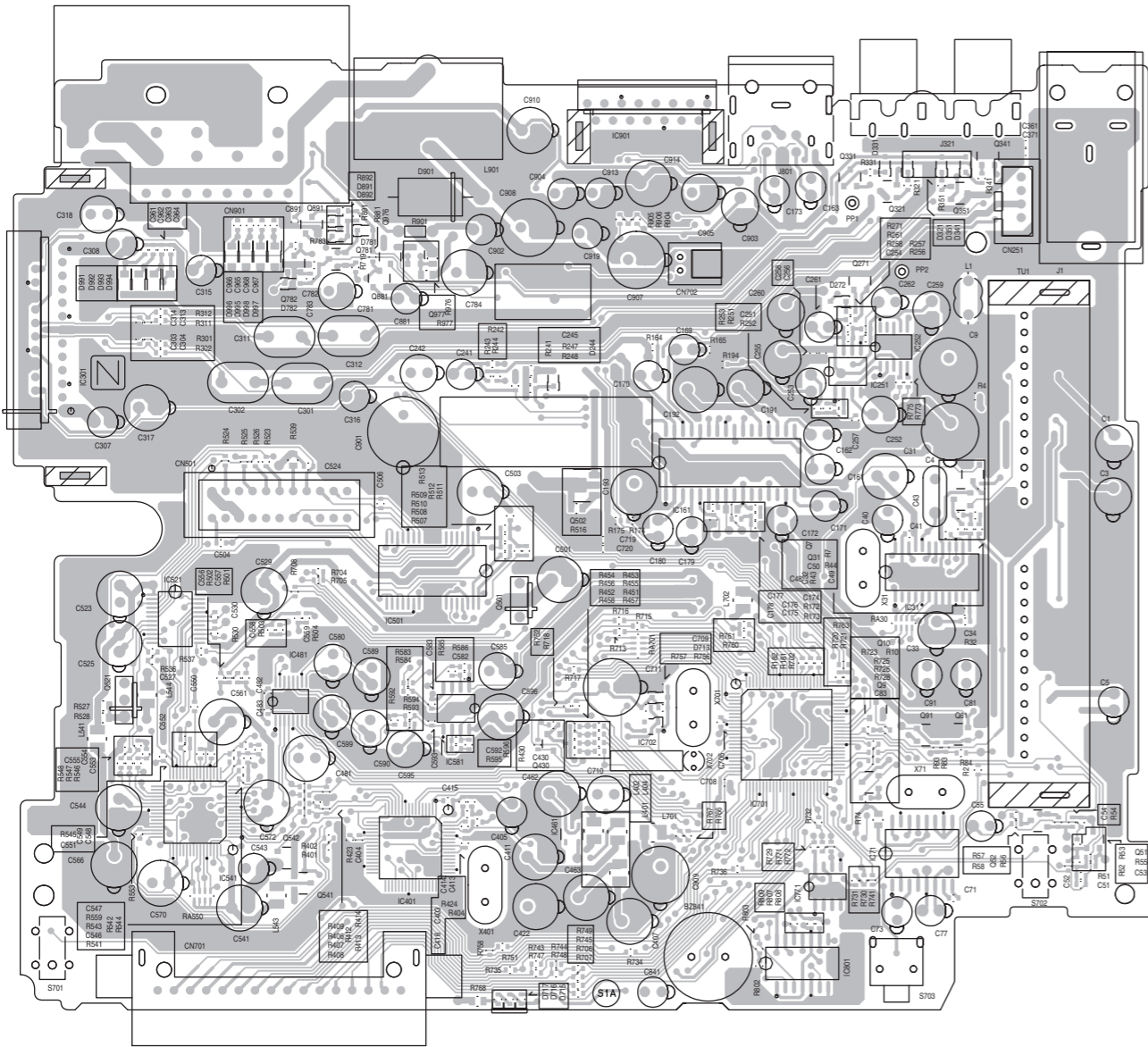
To CN701 (SHEET 4)

- NOTES
1. VOLTAGES ARE DC-MEASURED WITH A DIGITAL VOLT METER WITHOUT INPUT SIGNAL.
  2. UNLESS OTHERWISE SPECIFIED, ALL RESISTOR ARE 1/16W ±5% METAL GLAZE RESISTOR. ALL CAPACITORS ARE 50V OR 25V CERAMIC CAPACITOR. ALL RESISTANCE VALUES ARE IN ΩM. ALL CAPACITANCE VALUES ARE IN μF (P=PF) ALL E-CAPACITORS ARE SHOWN IN THE FORM OF CAPACITANCE(μF)/RATED VOLTAGE(V) T --- TANTALUM CAPACITOR.
  3. COMPONENTS IN ( ) INDICATE NOT USE.

# Printed circuit boards

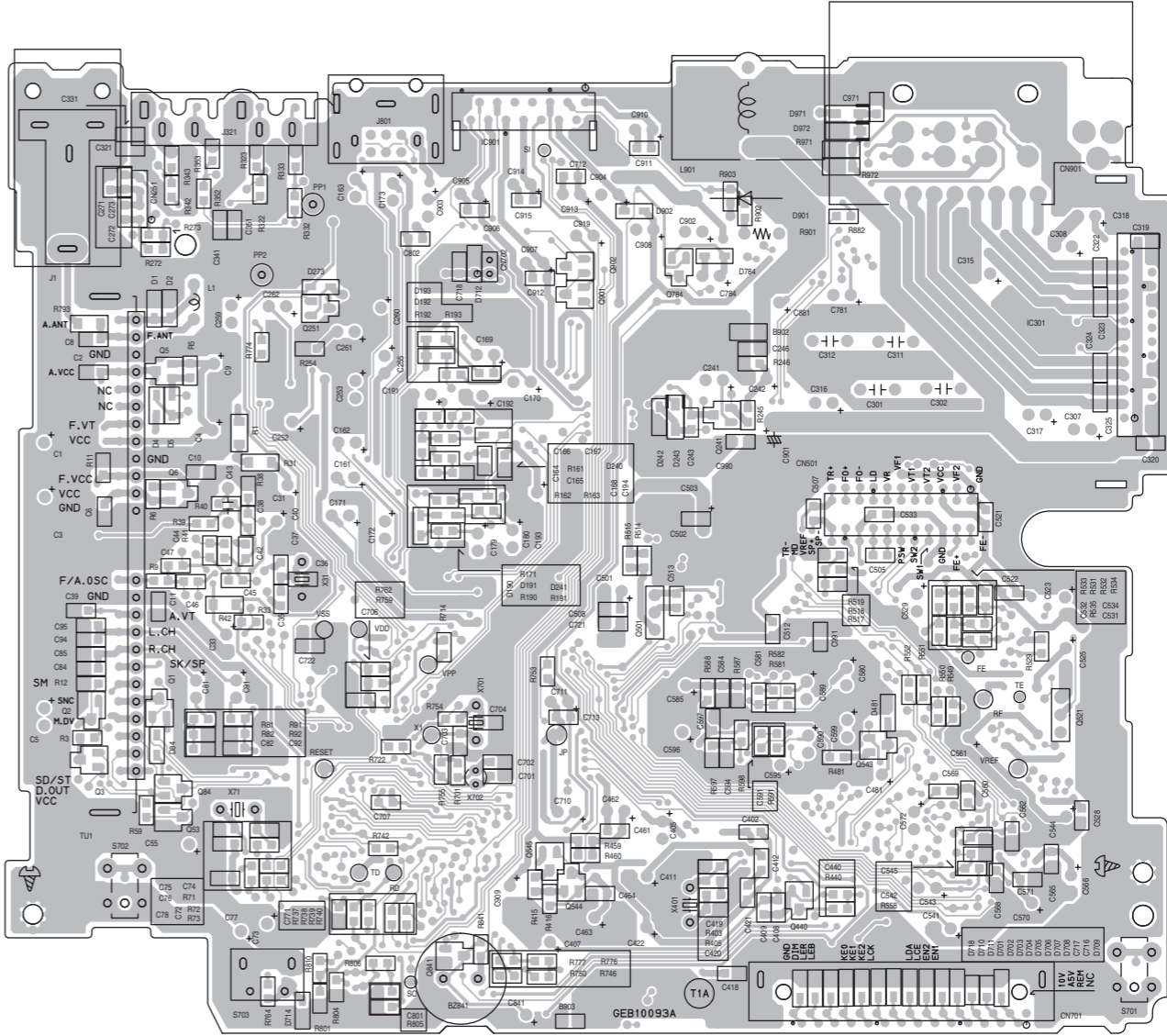
■ Main board

Forward side



■ Main board

Reverse side





**JVC**

**VICTOR COMPANY OF JAPAN, LIMITED**

AV & MULTIMEDIA COMPANY MOBILE ENTERTAINMENT CATEGORY 10-1,1chome,Ohwatari-machi,Maebashi-city,371-8543,Japan

(No.MA035SCH)



Printed in Japan  
WPC